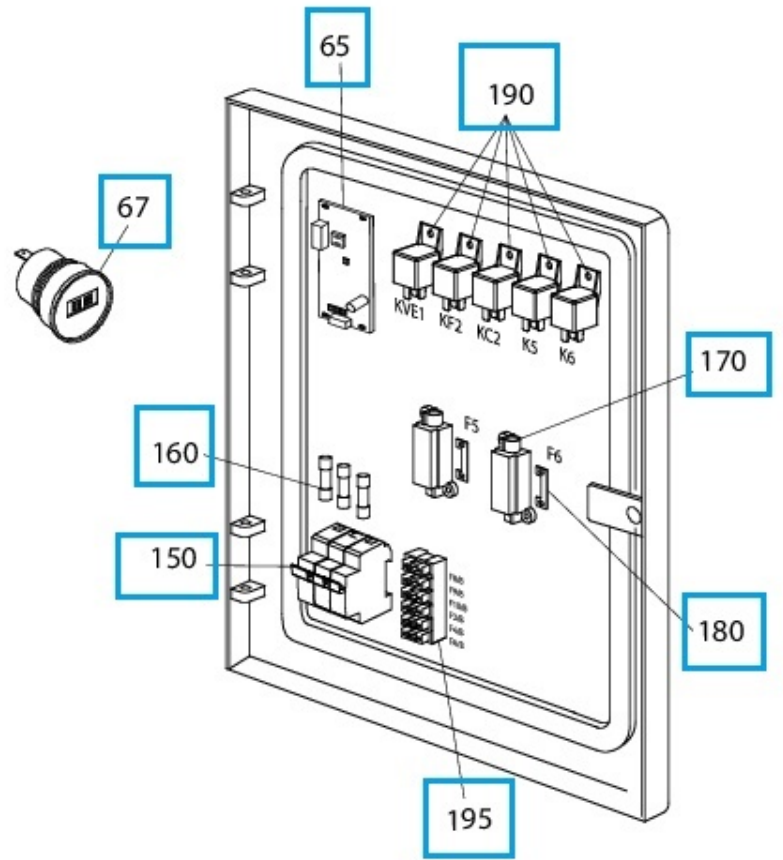
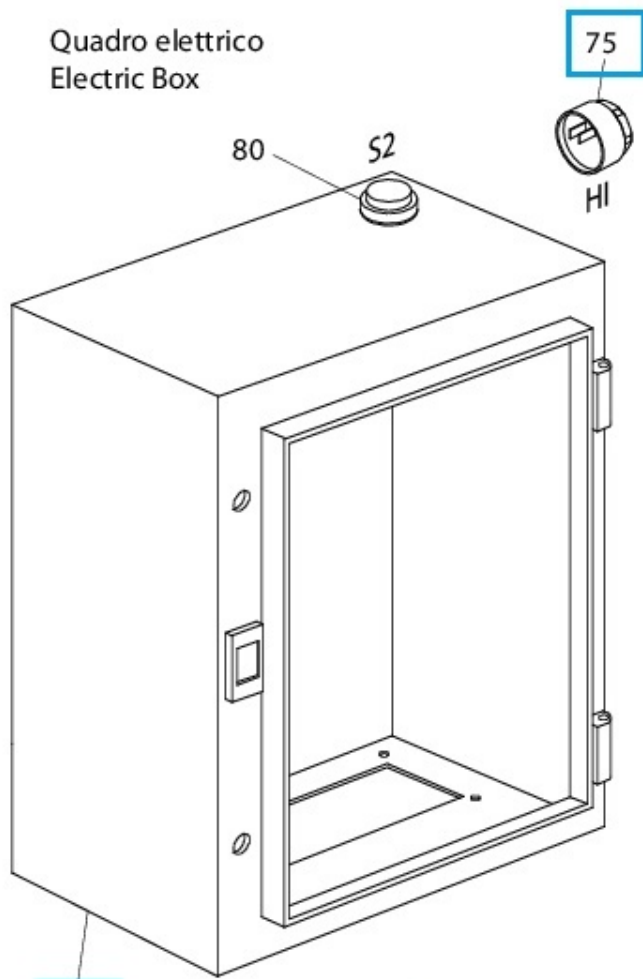
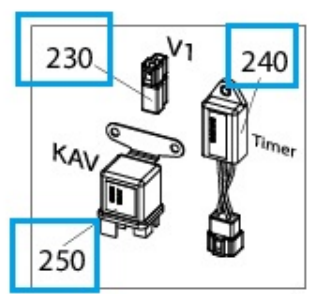
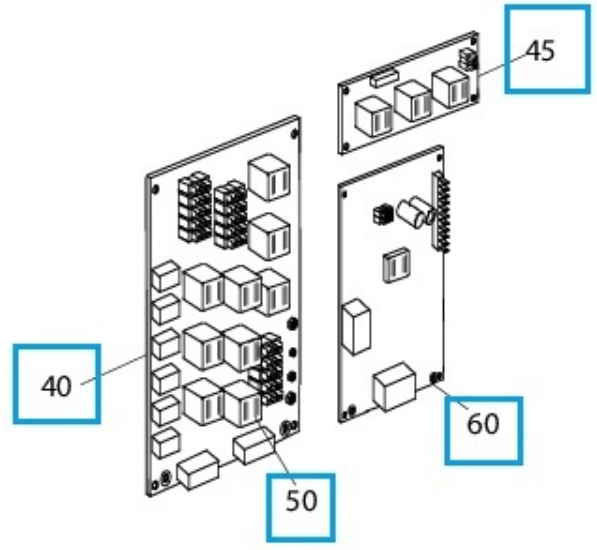
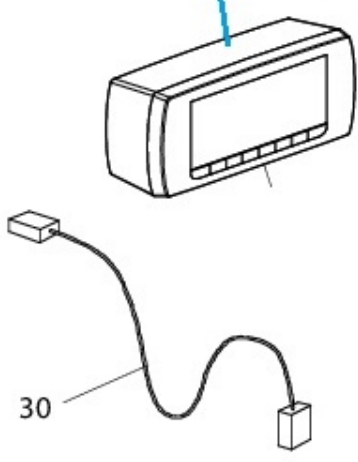


Quadro elettrico
Electric Box



До 2016
с 2016



(+) Opzionale o presente solamente in alcune versioni.
Optional or included only in some unit versions.

UN0100RISM72F

Cod Table	Pos.	Description	Qta	UM	RC	A 2010	L 2016
Tav.1406	10	Electric Box, Case	1			3QUA065	-
Tav.1406	20	Cab Command, Multi Temperature	1		s	3TST065	3TST094
Tav.1406	30	Connecting Cable, Cab Command	1			3CAV035	-
Tav.1406	40	Power Relays Board	1		s	3SCH136	-
Tav.1406	45	Power Relays Board, Expansion, 12V	1		s	3SCH138	-
Tav.1406	50	Relay	9		f	3RLM074	-
Tav.1406	60	CPU Board, Multi Temperature	1		s	3SCH361	-
Tav.1406	65	CPU Board, Expansion, 12V	1		s	3SCH137	-
Tav.1406	67	Hour Meter	1			3CTA013	-
Tav.1406	75	Buzzer	1			3SRN013	-
Tav.1406	80	Remote ON/OFF Button	1			3PUL034	-
Tav.1406	150	Fuse Holder	1			3BSF051	-
Tav.1406	160	Fuse	3			3FSB164	-
Tav.1406	165	not present	1			np	-
Tav.1406	170	Fuse Holder	2			3BSF029	-
Tav.1406	180	Fuse	2		f	3FSB222	-
Tav.1406	190	Relay	5			3RLM070	-
Tav.1406	195	Fuse Holder	1			3BSF031	-
Tav.1406	230	Diode	1			3RMD238	-
Tav.1406	240	Timer, Fuel Solenoid Valve Coils	1			3RMD235	-
Tav.1406	250	Start Relay, Fuel Solenoid Valve Coils	1			3RMD236	-
Tav.1406	280	not present	1			np	-
Tav.1406	290	not present	1			np	-
Tav.1406	300	not present	1			np	-